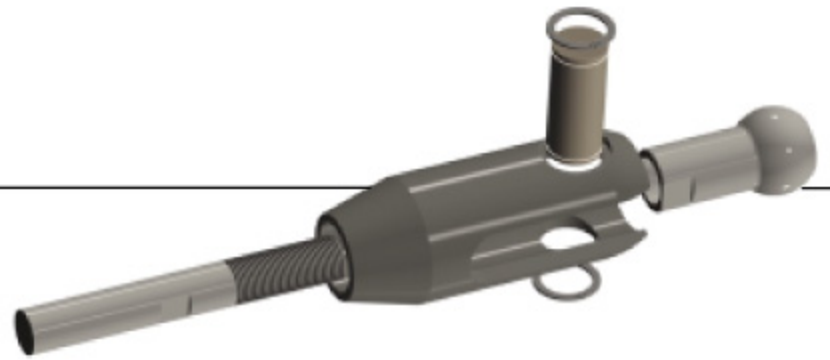


FT-400



Rod Rigging Selection Guide	
FT-400	
<ul style="list-style-type: none"> • Tension only application • Axial misalignment allowed up to 5° • Take-up by rotating ball swivel • Design ultimate strength to loads on table below 	
FT-600	
<ul style="list-style-type: none"> • Pre-engineered fittings to 2-1/2" diameter • Threaded connection w/locknut provides compression resistance • Style consistent with FT-800 and cable lines for continuity within project. 	
FT-800	
<ul style="list-style-type: none"> • Headed rods for highest efficiency • Smaller rods for lightweight feel • Best combination of cost vs. strength for medium to high loads 	

Threaded Rod Tensile Strength (Tons)		
Diameter	High Tensile 316 SS	17-4PH SS
0.25	2.7	3.2
0.31	4.1	4.9
0.38	6.0	7.4
0.50	10.6	12.8
0.63	16.6	19.7
0.75	23.9	28.8
0.88	32.5	39.7
1.00	42.4	51.2

Metrics and larger sizes available, call for information.